

DP Manufacturing, Inc  
PO Box 471710  
Tulsa, OK 74147  
USA

## Parts & Operators Manual

### HYDRAULIC WINCHES

**30BBX4L1F**

**&**

**30BBX4R1F**

**Date:**

**Serial Number:**

---

(918) 250-2450 • 1-800-DPWinch • Fax: (918) 250-0690 • [www.dpwinch.com](http://www.dpwinch.com)

Serving the crane, towing & recovery, utility, railroad, oilfield, mining, construction, marine, fishing, forestry, and other industries with quality planetary gear products since 1970.

4-12-06

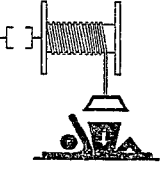



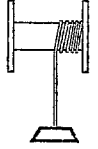

# TABLE OF CONTENTS

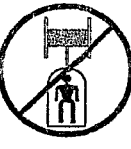

<b>WARNING AND CAUTION NOTICES - READ BEFORE OPERATING PRODUCT</b>	
<b>OPERATING PROCEDURE FOR SHIFTING GEARS</b>	
<b>DIMENSIONAL – 30BBX4L1F &amp; 30BBX4R1F WINCHES</b>	
<b>WIRE ROPE INSTALLATION</b>	
<b>HYDRAULIC SYSTEM</b>	
<b>PLUMBING DIAGRAM</b>	
<b>GENERAL INFORMATION AND DP SERVICING INSTRUCTIONS</b>	
<b>INSTALLATION DRAWING - MOTOR END - EXPLODED VIEW</b>	
PARTS LIST – MOTOR END.....	1.10237
<b>INSTALLATION DRAWING - DRUM - EXPLODED VIEW</b>	
PARTS LIST - DRUM.....	1.20135
<b>INSTALLATION DRAWING - GEAR END - EXPLODED VIEW</b>	
PARTS LIST - GEAR END.....	1.30113
<b>INSTALLATION DRAWING - INPUT SHAFT - EXPLODED VIEW</b>	
PARTS LIST - INPUT SHAFT.....	1.40223
<b>INSTALLATION DRAWING - BASE MOUNT - EXPLODED VIEW</b>	
PARTS LIST - BASE MOUNT.....	1.50090
<b>INSTALLATION DRAWING - GEAR END COVER - EXPLODED VIEW</b>	
PARTS LIST - GEAR END COVER.....	1.60102
<b>BOLT TORQUE CHART</b>	
<b>WINCH / GEAR BOX LUBRICATION</b>	
<b>GENERAL INFORMATION</b>	
<b>REPAIR &amp; REPLACEMENT PARTS ORDERING INFORMATION</b>	
<b>DP WINCH LIMITED WARRANTY</b>	



# GENERAL WARNING SHEET



Review entire manual before installation or operation of winch.

	 <b>DANGER</b>
	Do not disengage gear box while winch is under load. Immediate loss of load control will result.

	 <b>DANGER</b>
	The last five wraps of wire rope must be left on the drum to assist the wire rope clamp in holding the load.

	 <b>DANGER</b>
	Winches are not to be used for the lifting or moving of persons.

	 <b>WARNING</b>
	Wire rope can break without warning. Always keep a safe distance from the winch and wire rope while under a load. Consult the wire rope manufacturer for wire rope ratings and maintenance procedures.

	 <b>WARNING</b>
	Failure to adequately align, support, or attach winch to a suitable mounting base could result in a loss of efficiency or premature failure of winch, wire rope, or mounting base.

## OPERATING PROCEDURE FOR SHIFTING GEARS

The following steps are necessary for proper gear shifting operations.

### **Gear Dis-Engagement:**

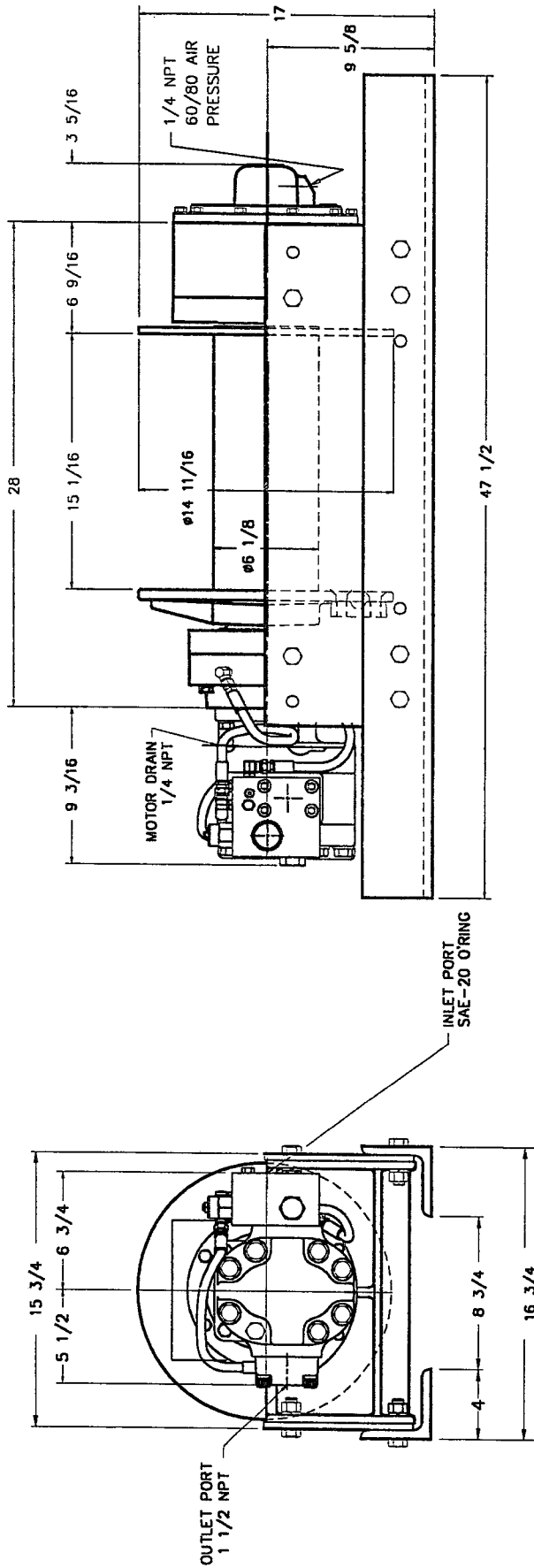
1. Winch must be "at rest" and have **no** load on cable.
2. Shift winch to out of gear "*free spool*" mode.

### **Gear Engagement:**

1. Winch must be "at rest" and have **no** load on cable.
2. Shift winch to in-gear mode and **slowly** rotate drum 90° in pay out direction, and then **stop** rotation. Next, **slowly** rotate drum in pay in direction to insure gears are fully engaged and **begin** paying in of load.

### **WARNING!**

If your winch has ever been "*shifted under load*" or has ever encountered "*rotational face contact of non-engaged gear components*," the gear teeth could be damaged. Damaged gear teeth can prevent your winch from fully engaging into gear and could allow it to jump out of gear. If this has happened to your winch, this procedure may *not* insure that it is fully engaged and it may need to be inspected for possible gear damage.



**RECOMMENDED BREAK-IN PROCEDURE**  
 FULLY EXTEND CABLE AND MAKE (3) COMPLETE PULLS AT APPROXIMATELY HALF THE RATED CAPACITIES. THIS WILL EXTEND THE LIFE OF BOTH THE CABLE AND THE WINCH.

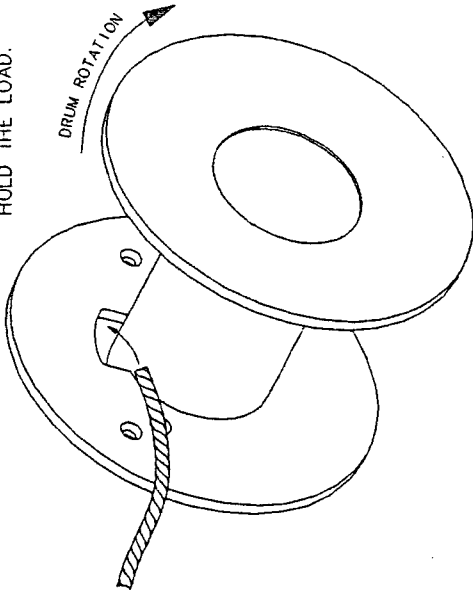
PERFORMANCE DATA		
CABLE SIZE 5/8" DIAMETER		
LAYER	LINE PULL (lbs)	LINE SPEED (ft./min.)
1	30000	90
2	25300	107
3	21900	123
4	19300	140
5	17200	157
6	15600	173

THE RATED LINE PULLS SHOWN ARE FOR THE WINCH ONLY. CONSULT THE WIRE ROPE MANUFACTURER FOR WIRE ROPE RATINGS.  
 LINE SPEED IS BASED ON 80 GPM FLOW RATE.  
 LINE PULL IS BASED ON 2650 PSI. OPTIONAL LOWER PRESSURE MOTORS ARE ALSO AVAILABLE.  
 CABLE CAPACITIES ARE IN ACCORDANCE WITH SAE J706.  
 (CAPACITIES ARE USUALLY UP TO 10% GREATER THAN THOSE SHOWN).  
 SEE WINCH HYDRAULIC SHEET FOR DETAILS OF LEFT & RIGHT HAND ROTATION.

# 30BBX4L1F & 30BBX4R1F WINCHES

### STEP 1

INSERT WIRE ROPE END INTO FLANGE OPENING.

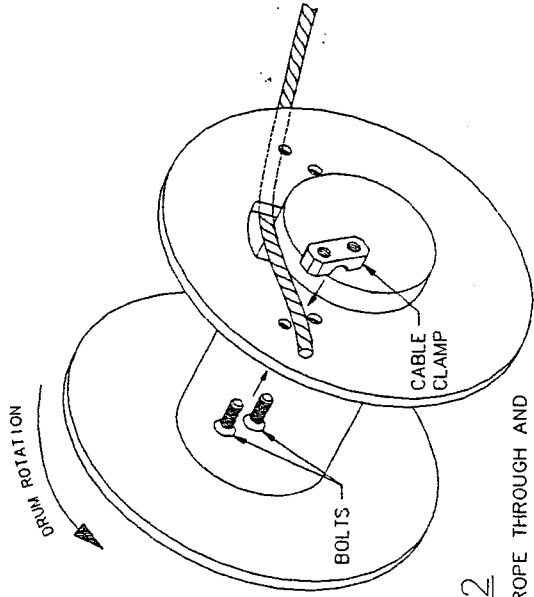


#### CAUTION:

IF THE WIRE ROPE IS NOT INSTALLED FOR THE CORRECT DRUM ROTATION, THE WINCH BRAKE VALVE WILL NOT HOLD THE LOAD.

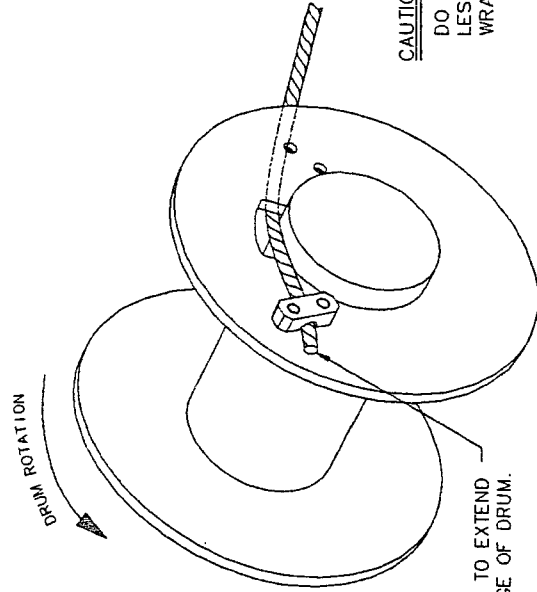
### STEP 2

PULL WIRE ROPE THROUGH AND ALIGN BETWEEN FLANGE HOLES. POSITION CLAMP OVER WIRE ROPE, AND THREAD BOLTS AS SHOWN.



### STEP 3

ONCE BOLTS ARE TIGHTENED SECURE, THE WIRE ROPE IS PROPERLY INSTALLED.



#### CAUTION:

DO NOT APPLY FULL LOAD TO WINCH WITH LESS THAN 5 FULL WIRE ROPE WRAPS ON THE DRUM.

DO NOT ALLOW WIRE ROPE TO EXTEND PAST EDGE OF DRUM.

## WIRE ROPE INSTALLATION



## COMMERCIAL INTERTECH MOTOR

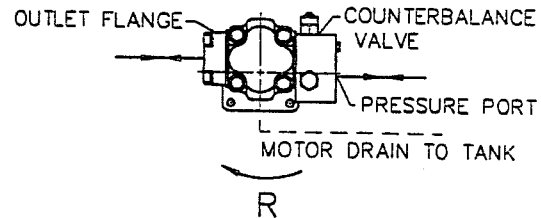
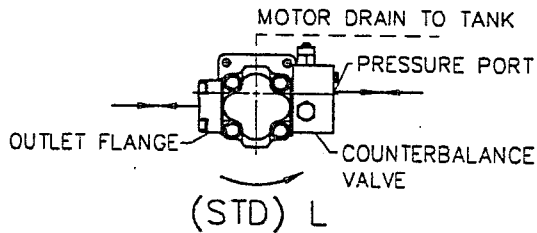
TO REVERSE WIRE ROPE PULL IN DIRECTION

### METHOD 1

REMOVE THE COUNTERBALANCE VALVE AND OUTLET FLANGE.  
REMOVE THE MOTOR MOUNTING BOLTS AND ROTATE THE MOTOR 180°.  
REASSEMBLE MOTOR, COUNTERBALANCE VALVE, AND OUTLET FLANGE.

### METHOD 2

SWITCH POSITIONS OF COUNTERBALANCE VALVE AND OUTLET FLANGE.  
NOTE: HOSES GOING TO BRAKE HOUSING MAY NEED TO BE LONGER.



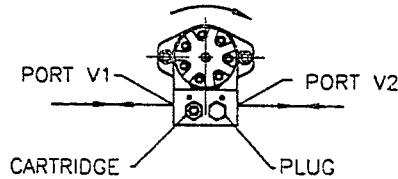
## CHAR-LYNN MOTORS

### (STD) L

L PRESSURE TO V1 ROTATES WINCH DRUM  
CLOCKWISE WHEN VIEWED FROM MOTOR END.

R PRESSURE TO V2 ROTATES WINCH DRUM COUNTER  
CLOCKWISE WHEN VIEWED FROM MOTOR END.

TO REVERSE WIRE ROPE PULL DIRECTION,  
SWITCH POSITIONS OF CARTRIDGE AND PLUG.

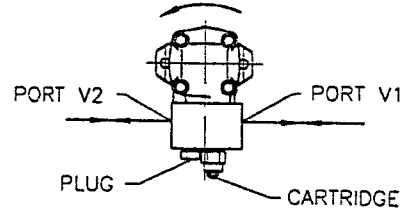


### (STD) L

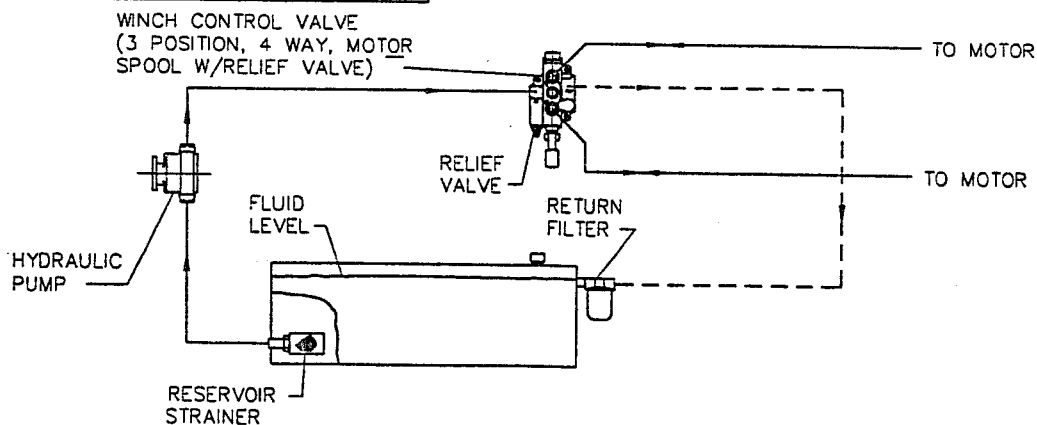
L PRESSURE TO V1 ROTATES WINCH DRUM COUNTER  
CLOCKWISE WHEN VIEWED FROM MOTOR END.

R PRESSURE TO V2 ROTATES WINCH DRUM  
CLOCKWISE WHEN VIEWED FROM MOTOR END.

TO REVERSE WIRE ROPE PULL DIRECTION,  
SWITCH POSITIONS OF CARTRIDGE AND PLUG.



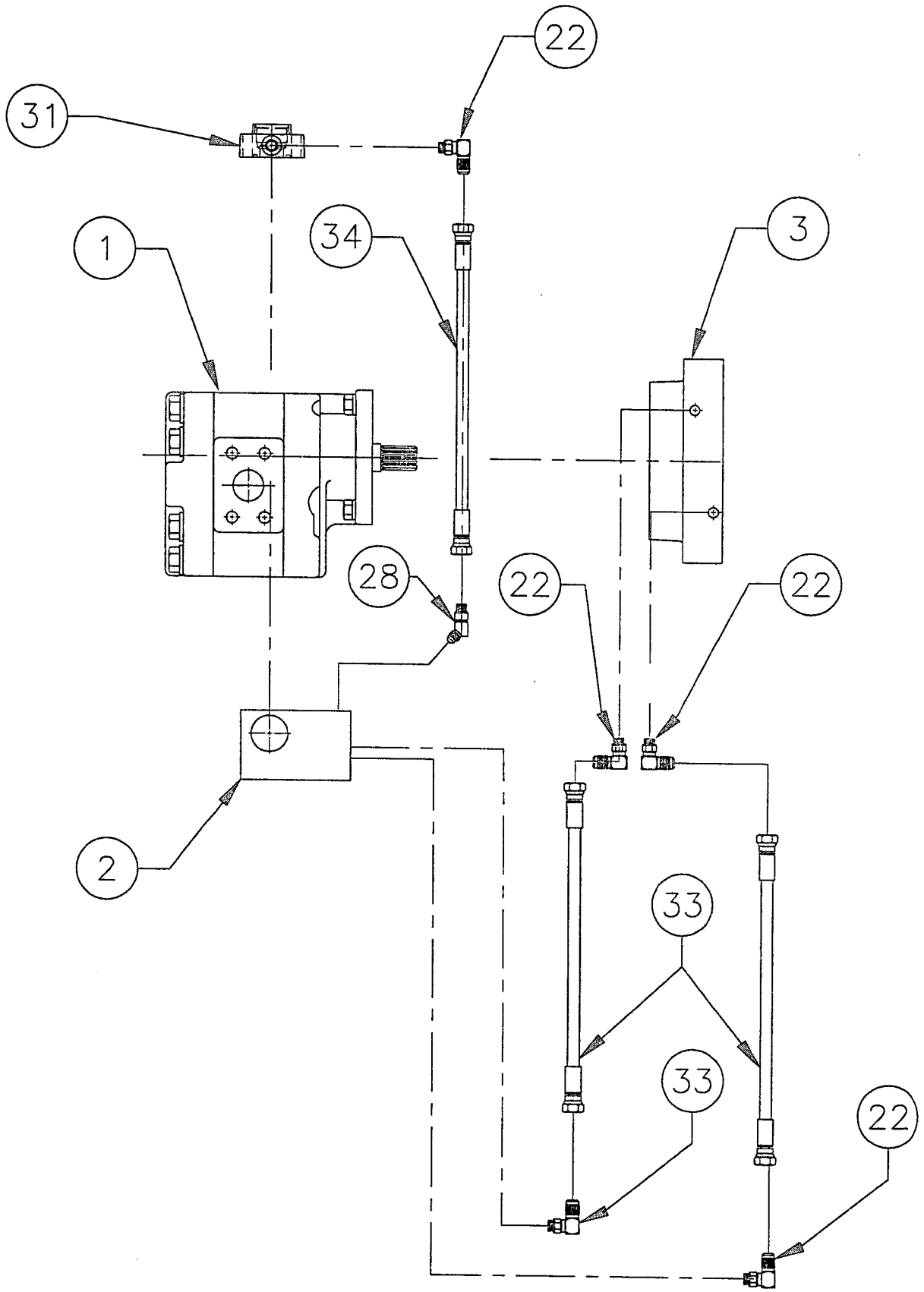
## TYPICAL WINCH HYDRAULIC SYSTEM



ALL UTILITY UNITS ARE BI-DIRECTIONAL WITHOUT MANIPULATION OF CARTRIDGE, AND OR PLUG LOCATIONS.

NOTE: IF TENSIONER AND, OR FAIRLEAD OPTIONS EXIST, THEN REVERSAL OF THEIR POSITION  
IN RELATION TO WINCH MUST TAKE PLACE BEFORE REVERSAL OF WIRE ROPE PULL DIRECTION CAN OCCUR.





PLUMBING DIAGRAM

SEE INSTALLATION MOTOR END 1.10237

# SERVICE INSTRUCTIONS DP BRAKE

## GENERAL:

The winch is fully hydraulic with a multi disc wet brake. The brake is spring applied and hydraulically released, and will automatically set any time the winch control valve is in neutral or in case of power failure. When the hydraulic pressure is less than 270 psi, the brake will set. Hydraulic power must be restored before brake will release. Maximum brake torque is achieved at 0 psi. **(These winches are not to be used for moving or lifting people.)**

## DISASSEMBLY OF BRAKE

### (REFER TO MOTOR END INSTALLATION DRAWING 1.10237)

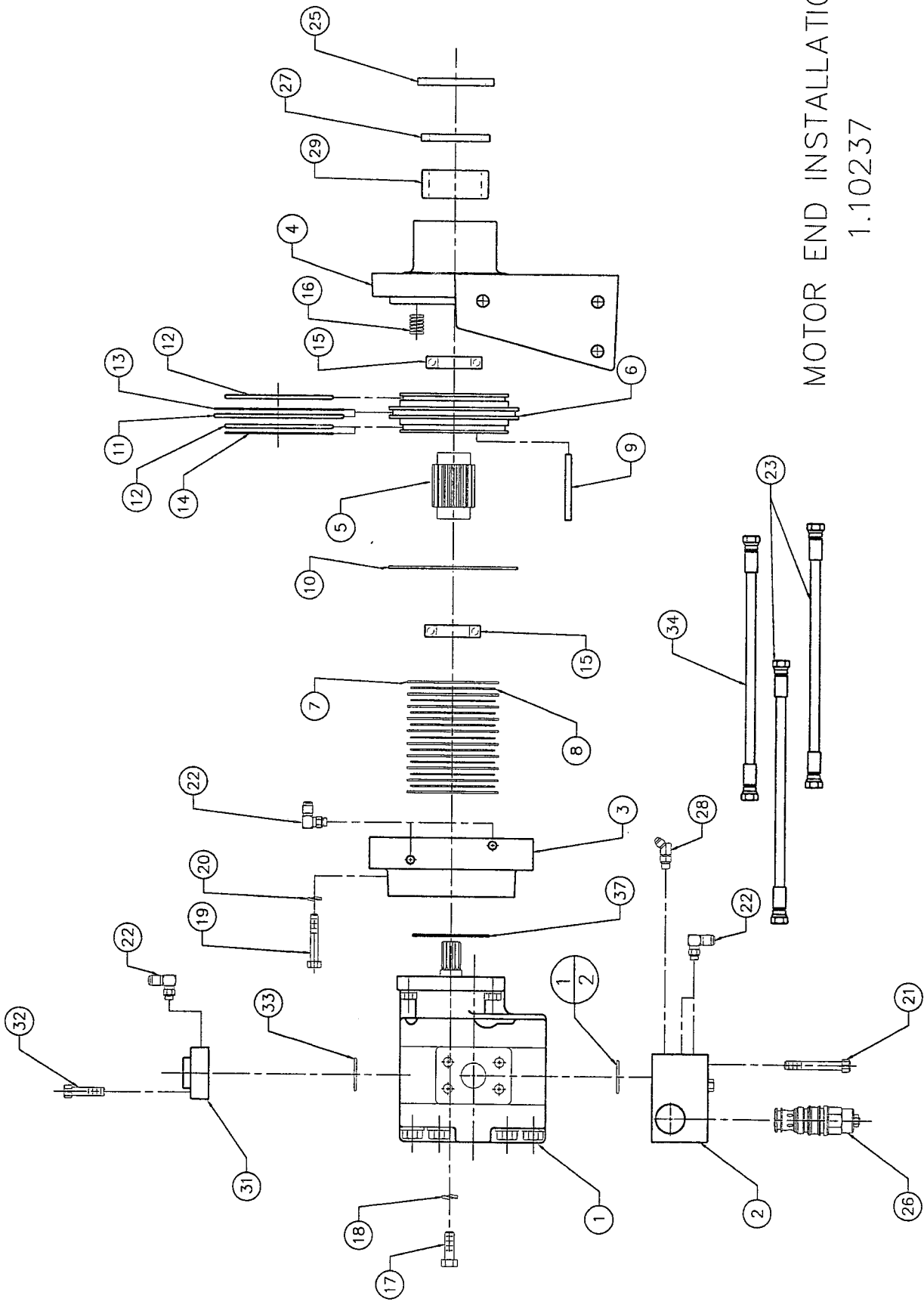
1. Disconnect brake hoses (item 23) at connections (item 22) on brake housing (item 3). wrap hose ends to prevent dirt contamination.
2. Disconnect motor (item 1) from brake housing (item 3) by removing four capscrews (item 17), lock washers (item 18). Allow oil to drain.
3. Remove outer brake housing (item 3) by removing six capscrews (item 19) and lock washers (item 20).  
**CAUTION: Since housing is under spring loading of approximately 3,500 lbs., the capscrews should be loosened evenly until spring force has been relieved.**
4. In removing housing (item 3), the bearing (item 15) may come with it or remain on brake shaft (item 5), or the brake shaft may also slide out.
5. Remove o-ring (item 10) from end support (item 4).
6. Remove friction plates (item 7), drive plates (item 8), and dowel pins (item 9). from piston (item 6).
7. Remove piston (item 6) from end support (item 4) being careful not to damage o-rings on piston. Next, remove o-rings and back-up rings (item 11, 12, 13, & 14) from piston.
8. Finally, remove springs (item 16) and bearing (item 15) from end support (item 4).

## ASSEMBLY OF BRAKE

1. Lubricate all o-rings and back-up rings with clean hydraulic oil used in the system.
2. Clean all parts thoroughly and visually examine for cuts, dents or other damage before assembly. Repair or replace parts with such defects.
3. Install bearing (item 15) into brake end support (item 4), then insert twelve springs (item 16) into holes in end support. Next install shaft (item 5) into bearing (item 15).
4. Insert dowel pins (item 9) into respective holes in end support (item 4).
5. Assemble o-rings and back up rings (item 11, 12, 13, & 14) on piston (item 6). Position back up rings as illustrated.
6. Insert piston (item 6) fitted with seals into end support (item 4) and over dowel pins (item 9) and tap down until piston face is resting against springs (item 16).
7. Insert friction plate (item 7) alternating with a drive plate (item 8) into piston (item 6) and over shaft (item 5) until all plates are in place in sequence illustrated.
8. Next, place bearing (item 15) onto brake shaft (item 5).
9. Place o-ring (item 10) in position on end support (item 4). Finally and with care not to pinch o-ring seals on piston, slide the housing (item 3) into place over the dowel pins (item 9) and tap down until firm. Install lock washers (item 20) and capscrews (item 19) in place until all six shoulder up. proceed to tighten evenly against spring pressure until housing face (item 3) is in full contact and capscrews are torqued to 50 ft. lbs.
10. The motor (item 1) can now be reinstalled on the housing (item 3). Place o-ring (item 37) on pilot dia. of motor (item 1). Then insert into brake housing (item 3) and secure with capscrews (item 17), lock washers (item 18). Reconnect brake hoses (items 23) as shown on winch plumbing diagram.
11. Refill winch with oil through gear end cover fill port (refer to gear end cover installation drawing). Allow time for oil to travel through brake end.
12. Before running winch, loosen adapter connections (items 22) at brake slightly to bleed air from brake release hoses (items 23) with hydraulic oil under pressure. Retighten connections and winch is ready to operate. (Note: pressure should not exceed 100 psi during bleeding.)

## BRAKE TROUBLE SHOOTING

1. Brake will not release:
  - (a) Insufficient system pressure to brake.
  - (b) Damaged o-rings or back up ring seals (item 11, 12, 13, or 14).
  - (c) Damaged piston (item 6).
  - (d) Damaged seal surfaces within housing (item 3). Or end support (item 4).
  - (e) Damaged bearing (item 15).
  - (f) Friction or drive plates (items 7 or 8) warped or heat damaged.
2. Brake will not apply or applies but torque low:
  - (a) Damaged springs (item 16), either broken or heat damaged and having taken a permanent set.
  - (b) Friction plates (item 7) worn out.
3. Oil leaks externally from brake:
  - (a) Damaged o-ring seal (item 10).



MOTOR END INSTALLATION  
1.10237

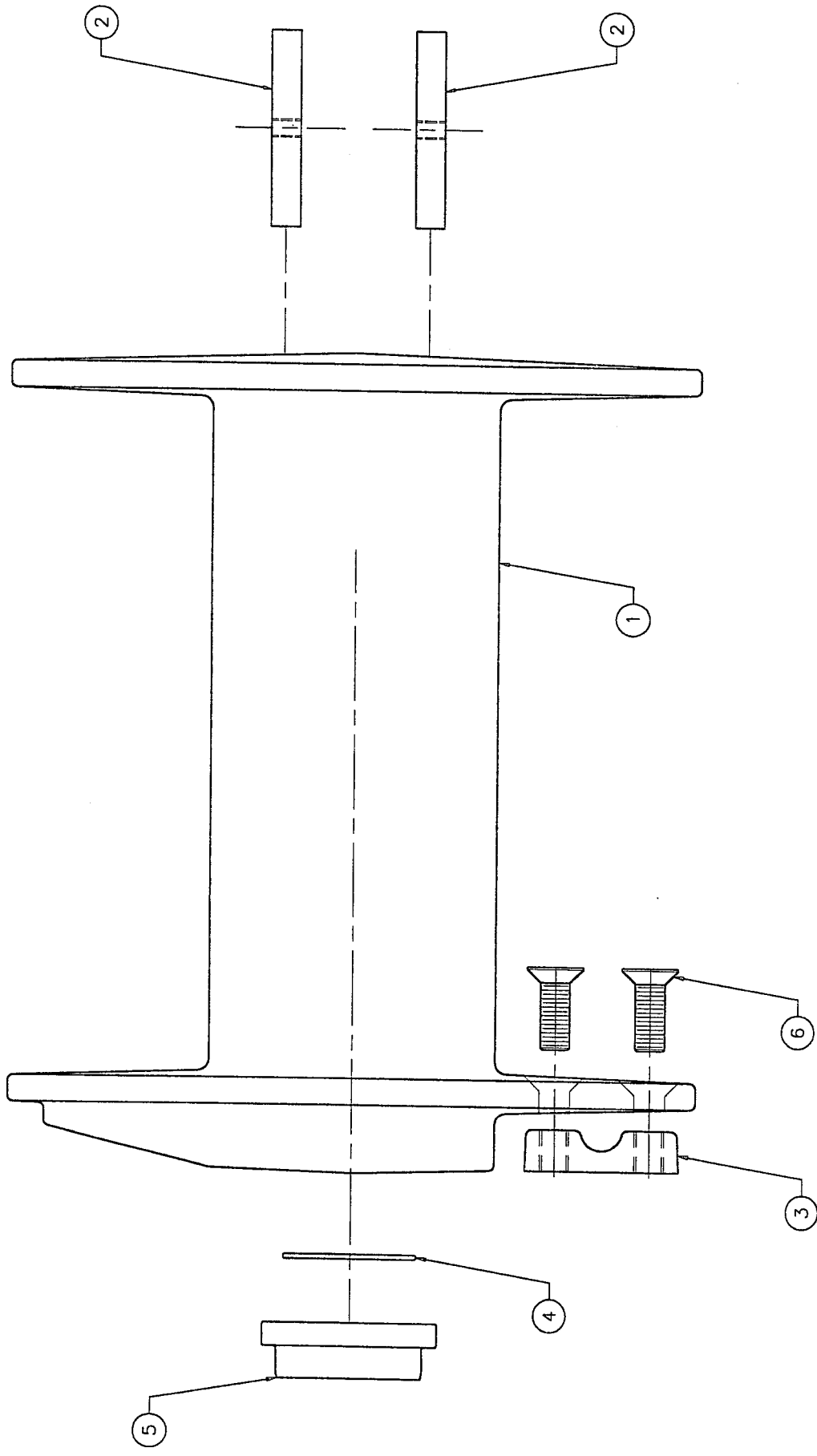
**1.10237 PARTS LIST**  
**MOTOR END INSTALLATION**

<u>LOC.</u>	<u>PART NO.</u>	<u>DESCRIPTION</u>	<u>QTY.</u>
1	73035	MOTOR – HYDRAULIC	1
2	11541	VALVE – COUNTERBALANCE	1
1.	9962	O-RING – 1 7/8 I.D. x 1/8 SECTION	1
3	11515	HOUSING – BRAKE – OUTER	1
4	13299	SUPPORT – END – MOTOR	1
5	11750	SHAFT – BRAKE	1
6	11443	PISTON – BRAKE	1
7	11603**	PLATE – DISC – FRICTION	10
8	3159**	PLATE – DRIVE – BRAKE	9
9	3263	PIN – DOWEL – 5/16 x 3 1/2	2
10	9844<	O-RING – 6 3/4 I.D. x 7 O.D. x 1/8 SECTION	1
11	9853<	O-RING – 6 1/2 I.D. x 3/16 SECTION	1
12	9851<	O-RING – 5 3/8 I.D. x 3/16 SECTION	2
13	9854<	RING – BACK-UP – 6 1/4 I.D. x .183	1
14	9852<	RING – BACK-UP – 5.278 I.D. x .076	1
15	81434	BEARING – BALL – 1 3/4 I.D.	2
16	2319**	SPRING – COMPRESSION 3/4 x 1	12
17	1403	CAP SCREW – HEX HEAD – 1/2 – 13NC x 1 1/2 – GRADE 5	4
18	1495	WASHER – LOCK – 1/2	4
19	1376	CAP SCREW – HEX HEAD – 7/16 – UNC x 2 1/2 – GRADE 8	6
20	1388	WASHER – LOCK – 7/16	6
21	1457	CAP SCREW – SOCKET HEAD – 1/2 – 13NC x 3 – GRADE 8	4
22	76017	ADAPTER – 90°	5
23	75037	HOSE – 1/4 – R1 x 10"	2
24	10708*	TAG – WARNING	1
25	9890	SEAL – SHAFT – 3 1/8 I.D. x 4 O.D. x 3/8 THICK	1
26	70034	CARTRIDGE – VALVE	1
27	13288	THRUST WASHER – 3.81 x .406	1
28	76029	ADAPTER – 45°	1
29	81454	BEARING – ROLLER – TORRINGTON	1
31	12454	MANIFOLD – VALVE/MOTOR	1
32	1458	CAP SCREW – SOCKET HEAD – 1/2 – 13NC x 1 3/4	4
33	9962	O-RING – 1 7/8 I.D. x 2 1/8 O.D.	1
34	75032	HOSE – 1/4 – R1 x 14"	1
37	9620	O-RING – 5 I.D. x 3/32 SECTION	1
38	1179*	CAPLUG – PLASTIC – 20-S-I.D.	1
39	1157*	CAPLUG – #4 – RED – 1/4 NPT	1

\* NOT SHOWN ON EXPLODED DRAWING.

\*\* THESE ITEMS SOLD IN 9400 KIT ONLY.

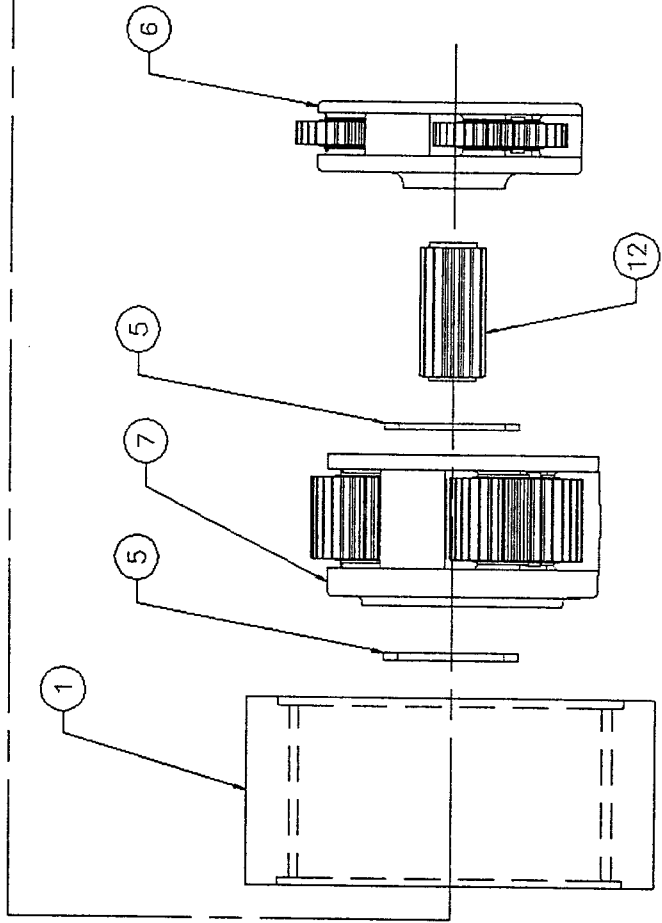
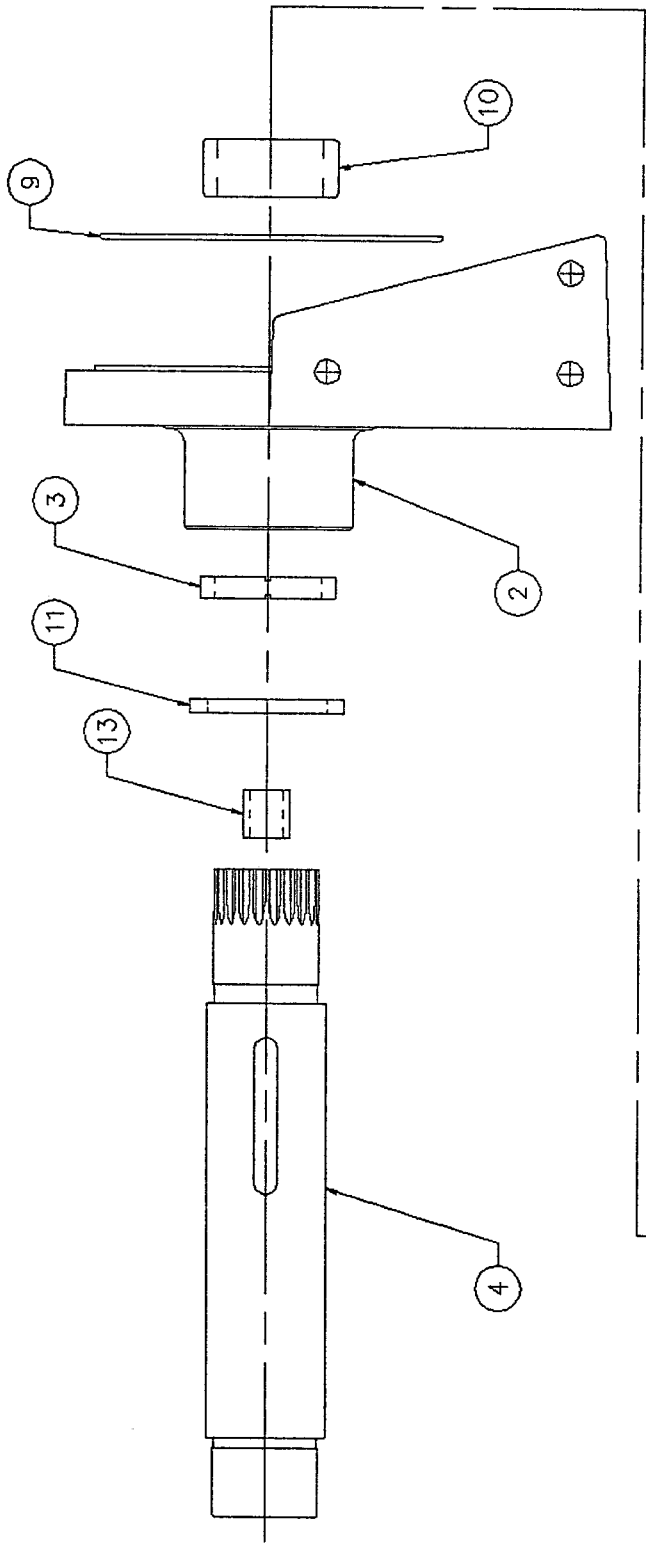
< THESE ITEMS SOLD IN 9406 KIT ONLY.



DRUM INSTALLATION  
1.20135

**1.20135 PARTS LIST**  
**CABLE DRUM INSTALLATION**

<u>LOC.</u>	<u>PART NO.</u>	<u>DESCRIPTION</u>	<u>QTY.</u>
1	13313	DRUM	1
2	13293	KEY - DRUM	2
3	12518	CLIP - CABLE - 5/8	1
4	9602	O-RING - 2 3/4 I.D. x 3 O.D. x 1/8 SECTION	1
5	13286	SPACER - DRUM	1
6	1587	CAP SCREW - FLAT - SOCKET HEAD - 5/8 - 11UNC x 1 3/4	2



GEAR END INSTALLATION  
 1.30113

**1.30113 PARTS LIST**  
**GEAR END INSTALLATION**

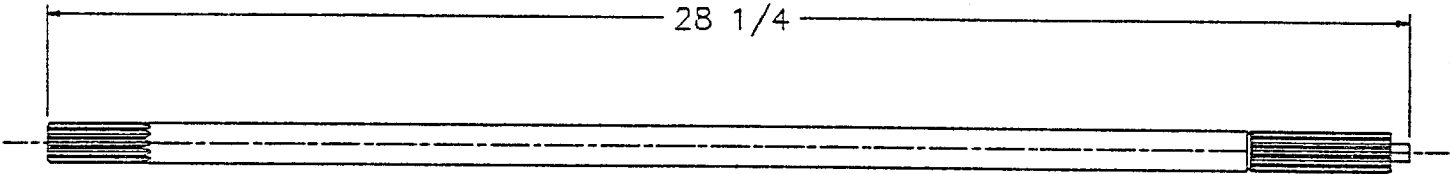
<u>LOC.</u>	<u>PART NO.</u>	<u>DESCRIPTION</u>	<u>QTY.</u>
1	3126	GEAR - RING	1
2	13300	SUPPORT - GEAR END	1
3	13288	RING - THRUST - 3.81 x .406	1
4	13315	SHAFT - OUTPUT	1
5	13164	WASHER - THRUST - NYLON - 3 1/2 O.D. x 3/16	2
6	12486	CARRIER - ASSEMBLY - PRIMARY	1
7	12516	CARRIER - ASSEMBLY - SECONDARY	1
8	10848*	LABEL - WARNING	1
9	9695	O-RING - 8 3/4 I.D. x 1/8 SECTION	1
10	81454	BEARING - ROLLER - TORRINGTON	1
11	9890	SEAL - SHAFT - 3 1/8 I.D. x 4 O.D. x 3/8 THICK	1
12	13306	GEAR - SUN - SECONDARY - 15 TEETH	1
13	81608	BUSHING - BRONZE - 1 I.D. x 1.25 O.D. x 1	1

\* NOT SHOWN ON EXPLODED DRAWING.

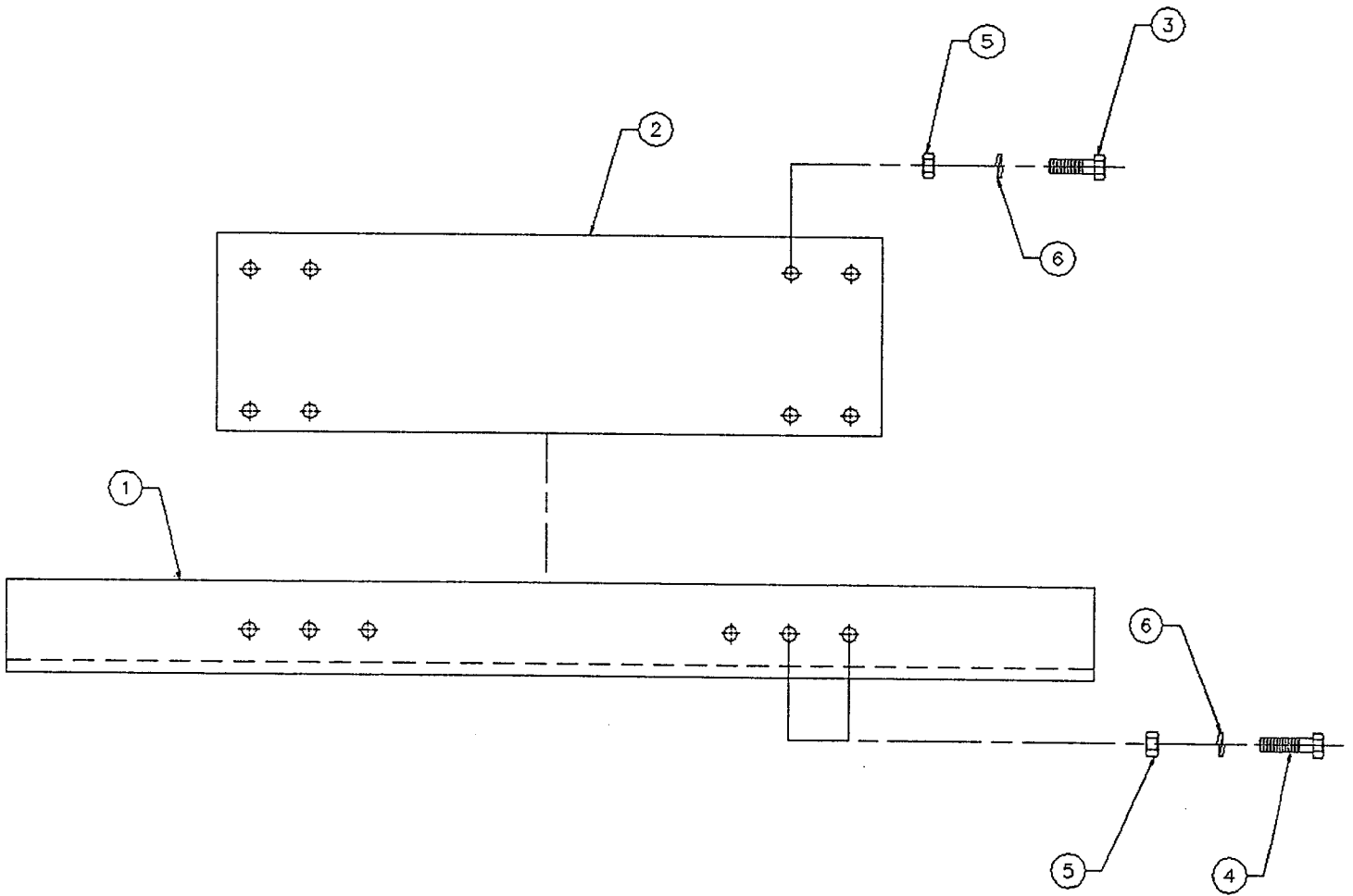


1.40223 PARTS LIST  
INPUT SHAFT INSTALLATION

<u>LOC.</u>	<u>PART NO.</u>	<u>DESCRIPTION</u>	<u>QTY.</u>
1	13311	INPUT - SHAFT	1



INPUT SHAFT INSTALLATION  
1.40223

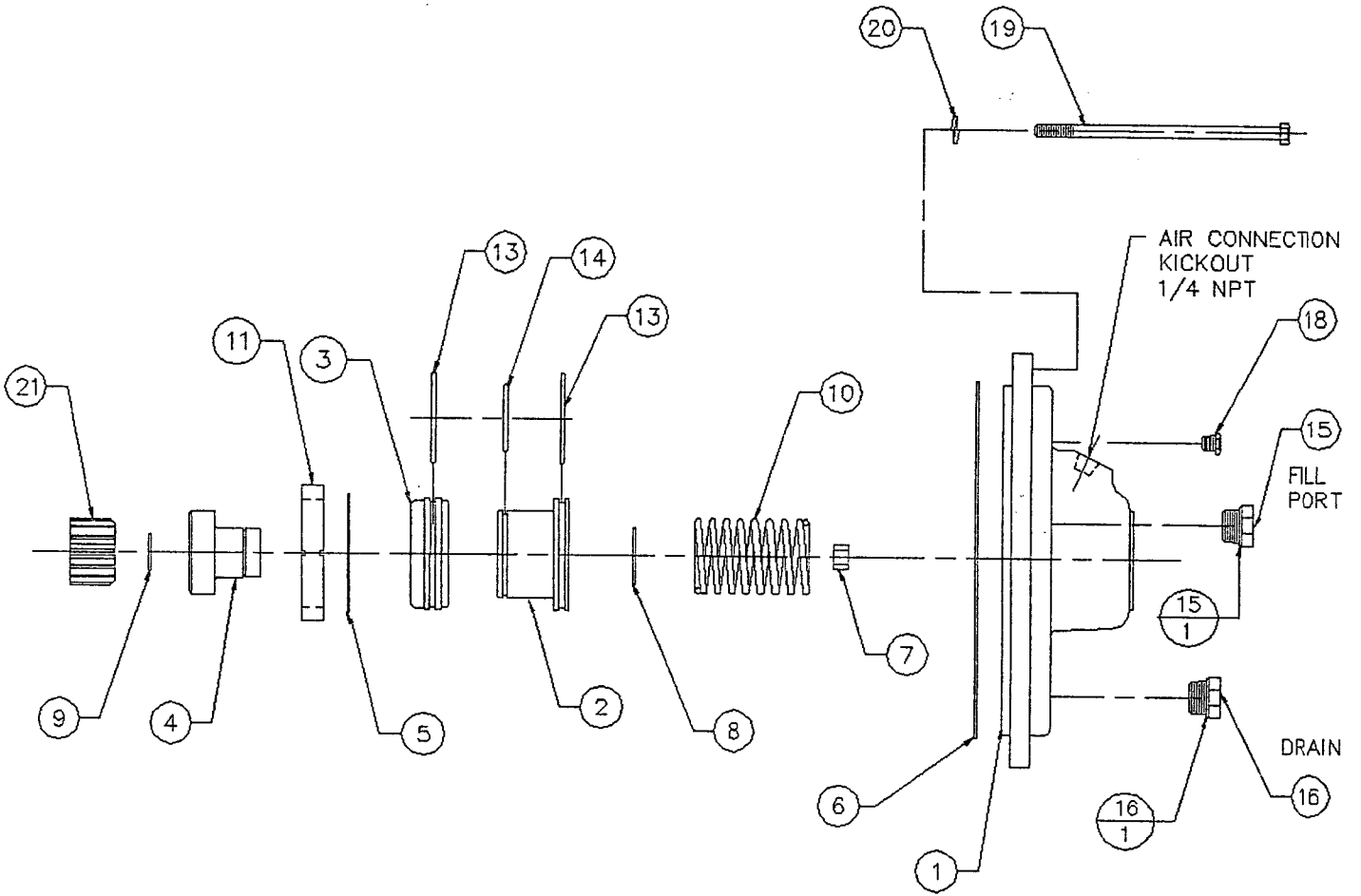


BASE MOUNT INSTALLATION  
1.50090

**1.50090 PARTS LIST**  
**BASE ANGLE INSTALLATION**

<u>LOC.</u>	<u>PART NO.</u>	<u>DESCRIPTION</u>	<u>QTY.</u>
1	11990	BASE ANGLE	2
2	11992	PLATE - SIDE	2
3	1504	CAP SCREW - HEX HEAD - 5/8 - 11NC x 2 - GRADE 5	4
4	1506	CAP SCREW - HEX HEAD - 5/8 - 11NC x 2 1/2 - GRADE 5	8
5	1590	NUT - HEX - 5/8 - 11NC - GRADE 2	12
6	1595	WASHER - LOCK - 5/8	12
7	10466*	PLATE - ID - WINCH	1
8	1165*	RIVET - TYPE - U	4

\* NOT SHOWN ON EXPLODED DRAWING.



AIR/HYDRAULIC KICKOUT  
 GEAR END COVER INSTALLATION  
 1.60102

**1.60102 PARTS LIST**  
**GEAR END COVER INSTALLATION**

<u>LOC.</u>	<u>PART NO.</u>	<u>DESCRIPTION</u>	<u>QTY.</u>
1	13675	COVER - GEAR END	1
2	13295	PISTON - AKO - B/C/D	1
3	13296	CYLINDER - PISTON	1
4	13297	COUPLING - DRIVE	1
5	3632	RING - RETAINER - ROUND SECTION - 3 O.D. x 3.4 GAGE	1
6	9695	O-RING - 8 3/4 I.D. x 1/8 SECTION	1
7	81612	BUSHING - BRONZE - 5/8 O.D. x 3/8" I.D. x 3/8	1
8	3303	RING - RETAINER - 1 1/4 x .05 THICK	1
9	3321	RING - RETAINER - 7/8 x .08 THICK - ROUND SECTION	1
10	2309	SPRING - COMPRESSION	1
11	13288	WASHER - THRUST - NYLON - 3.81 x .406	1
13	9672	O-RING - 2 5/8 I.D. x 1/8 SECTION	2
14	9704	O-RING - 2 1/8 I.D. x 2 3/8 O.D. SECTION	1
15	76344	PLUG - SOCKET HEAD - O-RING - BOSS #10 - 7/8 - 14	1
1.	9992	O-RING - RAVINE - 1 1/4	1
16	76343	PLUG - SOCKET HEAD - O-RING - BOSS - MAGNETIC - #10	1
1.	9992	O-RING - RAVINE - 1 1/4	1
17	1157*	CAPLUG - #4 RED - 1/4	1
18	3059	RELIEF - VENT	1
19	1317	CAP SCREW - HEX HEAD - 3/8 x 16NC x 5 1/2 - GRADE 8	12
20	1395	WASHER - LOCK - 3/8	12
21	13235	GEAR - SUN - 15 TEETH	1

\* NOT SHOWN ON EXPLODED DRAWING.

---

## Calculated Generic Bolt Installation Torques

Nominal Diameter/ Thread Pitch	Grade (5) T		Grade (8) T	
	lb*Ft	(lb*in)	lb*Ft	(lb*in)
1/4-20	6.3	( 76 )	8.9	( 107 )
5/16-18	13	( 156 )	18.5	( 221 )
3/8-16	23		33	
7/16-14	37		53	
1/2-13	57		80	
5/8-11	113		159	
3/4-10	200		282	
7/8-9	322		454	
1-8	483		682	
1 1/8-7	596		966	

*This table is used for applications without external loads. Reference EN11000.*

This standard defines generic torque values for installing threaded fasteners used in the manufacture of DP products. This document is not intended to over-ride or otherwise change specific torque values defined individually on other DP documents.

---

# GENERAL INFORMATION

## MISCELLANEOUS LUBRICATION POINTS

**dp** fairlead rollers require lubrication by a medium heavy oil on a weekly basis. Fairlead rollers are supplied with oil impregnated bronze bearing and require a few drops of medium heavy oil at each bearing location.

Manual kick out levers should be cleaned and lubricated with a coat of light oil on the shaft and detent mechanism (avoid excessive oil build up, which will attract dust).

## PNEUMATIC SYSTEM

This product uses air pressure to power the drum disengagement. This component requires clean dry air for trouble free service. A typical pneumatic system should have an FDL (filter, dryer, lubricator) and a pressure regulator. More than (1) pressure regulator may be required, depending on the pressure requirements of the different components. It is important to keep moisture from entering the winch. Moisture could cause corrosion. If temperatures fall below 32°F, moisture could freeze and render the component inoperable. See *the dimensional drawing for the pressure requirements*.

## EXTENDED STORAGE PROCEDURES

If you plan to store your **dp** product for more than 90 days some extra precautions are required to insure your product will be ready to perform when put back into service.

- Wash and dry the exterior of the winch.
- Service the wire rope as recommended by the wire rope manufacturer.
- The winch should be filled with the appropriate corrosion-inhibiting lubricant and operated for 5 minutes in both directions to distribute the lubricant. The winch should then be filled to the highest possible level, I.E. vent high (this will insure the maximum coverage of internal components). *Note: drain oil to normal operation level before returning to service.*
- The internal components of the pneumatic system should be coated with a corrosion-inhibiting lubricant. If a pneumatic lubrication system is not installed, this can be accomplished by spraying an aerosol lubricant into the ports of the components and shifting several times to distribute the lubricant evenly.
- All ports should be plugged (i.e. motor inlet/outlet ports, drum disengagement)
- Lubricate all external components
  - Fairlead rollers
  - Pivot points of cable hold down
  - Manual drum disengagement handle

# HYDRAULIC SYSTEM

## FLUID SPECIFICATIONS

When choosing a fluid, it is important to consider the start-up and operating temperatures of the hydraulic system. Generally the fluid is thick when started and with movement it warms and thins out. Premium grade petroleum based hydraulic fluids will provide the best performance. They contain anti-wear agents, rust/oxidation inhibitors, and anti-foaming agents. **dp** recommends an oil viscosity of 20-43 cSt and a temperature range of 100-140°F. The oil viscosity should never fall below 13 cSt or the temperature rise above 180°F. Oil viscosity greater than 43 cSt is not normally detrimental to the motors used on **dp** products, except 2 speed and variable displacement motors. *Consult your local hydraulic fluid distributor for assistance in selecting a fluid that would best suit your climate and application.*

## FLUID / SYSTEM MAINTENANCE

Maintaining correct fluid viscosity and cleanliness level is essential for all hydraulic systems. **dp** products are used in a wide variety of applications and it is impossible to publish a fluid maintenance schedule that would cover every situation. **dp** recommends that the minimum hydraulic fluid cleanliness be maintained at an ISO Cleanliness Code 18/13 rating. *Your hydraulic system designer can recommend an adequate filtration system and maintenance schedule to achieve this rating.*

# WINCH LUBRICATION

## LUBRICANT SPECIFICATIONS

Gear lubrication is an important component in insuring the long life of your winch. The type of lubricant will have a great influence. Generally a gear lubricant should have a viscosity of 100 to 250 cSt at the expected ambient operating temperature. For operation in lower temperature ranges, it is imperative that the pour point of the lubricant be at least 10° below the lowest ambient temperature. The oil you select should meet GL5 performance standards for high pressure, possess rust/oxidation inhibitors, and low foaming properties. Many lubricants available under a variety of trade names meet these requirements. Unless otherwise requested, the gear oil your winch was shipped with is *GL5 80W90*. Consult your local lubricant distributor on the selection that best fits your climate and application.

## GENERAL LUBRICANTS

*For Reference Only*

Temperature (°F)	Type of oil	Viscosity (cSt) At 40°/100°C
10° to 120°	85W140	360/25
-25° to 40°	80W90	145/15
-50° to 30°	Synthetic ISO 32	31/6

All types of lubricant listed here conform to MIL SPEC-L-2105D.

## CHANGE INTERVAL

The initial lubricant should be changed after the first 10 hours of operation. During this "breaking in" period it is normal for the lubricant to contain minuscule black & bronze particles. Subsequent changes should be scheduled every 250 hours of operation or annually.

## LUBRICATION LEVEL

The oil level should be checked with the winch centerline horizontal. The winch should be filled to the bottom of the fill/level plug. If your winch has more than (1) fill/level plug, select the plug that is slightly above the centerline. *If unit is mounted in a non-standard orientation, consult dp Service Department for lubrication level information.*

## GREASE

If the winch comes with a fairlead that has grease fittings on the rollers, the grease used conforms to MIL-G-10924 and should be used in the temp range of -50° F to 120° F.

1. Oil Check and Fill
  - a. Remove oil fill plug.
  - b. Oil level should be visible. If overfull and thin it may indicate hydraulic oil leakage through the brake. correct by draining and refilling before operating winch. If this condition continues winch should be checked for seal failure. See "Trouble Shooting Information.
  - c. Add specified gear lubrication oil as required to bring to proper level.
  - d. If winch lubrication oil consistently checks low, inspect unit for leaking seals or gaskets.
2. Oil Drain and Replacement
  - a. Remove oil drain & fill plug.
  - b. Drain oil.
  - c. Clean drain plug and replace. Fill with oil to proper level.
  - d. Oil should be changed after the first 6 weeks of operation. Change should then be on an annual basis.
3. **CAUTION:** Winch lubrication oil is not hydraulic oil.

**Note:** dp Manufacturing, Inc. takes no responsibility for the subsequent performance of hydraulic or mechanical components if oil, grease or hydraulic fluid possessing properties other than what dp Manufacturing, Inc. recommends is used.



# REPAIR & REPLACEMENT PARTS ORDERING INFORMATION

*To insure satisfactory product performance after repairs, always use genuine dp Manufacturing replacement parts.*

## **MODEL IDENTIFICATION**

Always furnish the **dp** Model Number and Serial Number when ordering parts. This information is found on the product nameplate and/or stamped on top of the motor end support.

## **PART NUMBER AND DESCRIPTION**

In addition to the serial number, always give the part number and description of each part ordered. If there is any doubt as to the correct part number and description, furnish a dimensional sketch or return the part to be replaced.

Your cooperation in furnishing as much information as possible will assist us in filling your orders correctly in the shortest possible time.

## **FACTORY RETURNS / SERVICE**

Advanced authorization is required prior to the return of any items to **dp** Manufacturing, Inc. Contact the **dp** Service Department for a Return Goods Authorization (RGA) number. Shipment to and from **dp** Manufacturing, Inc. shall be at the customers expense.

*Remit all correspondence concerning parts, service, and returned goods authorization to:*

**dp** Manufacturing, Inc.  
PO Box 471710  
5647 South 122<sup>nd</sup> East Ave  
Tulsa, Oklahoma 74146

Phone (918) 250-2450  
Fax (918) 250-0690  
E-Mail [service@dpwinch.com](mailto:service@dpwinch.com)

---

Notes:

# DP Winch Limited Warranty

Effective 1/1/2005

*SUPERSEDES ALL PRIOR WARRANTIES*

Seller warrants that each article sold under this order shall at the time of shipment (i) conform to applicable specifications, and (ii) be free from defects in material and workmanship during normal and ordinary use and service (the "Warranty").

Buyer's exclusive remedy and Seller's sole obligation under this Warranty shall be, at Seller's option, to repair or replace any article or part thereof which has proven to be defective, or to refund the purchase price of such article or part thereof.

This Warranty shall expire one (1) year from the date the article is first shipped by Seller. Notice of claimed breach of this Warranty must be given by Buyer to Seller within the applicable period. Such notice shall include an explanation of the claimed warranty defect and proof of date of purchase of the article or part thereof for which warranty coverage is sought. No allowances shall be made by Seller for any transportation, labor charges, parts, "in and out" costs, adjustments or repairs, or any other work, unless such items are authorized in writing and in advance by Seller. Nor shall Seller have any obligation to repair or replace items which by their nature are expendable.

If an article is claimed to be defective in material or workmanship, or not to conform to the applicable specifications, Seller will either examine the article at Buyer's site or issue shipping instructions for return to Seller. This Warranty shall not extend to any articles or parts thereof which have been installed, used, or serviced otherwise than in conformity with Seller's applicable specifications, manuals, bulletins, or instructions, or which shall have been subjected to improper installation, operation, or usage, misapplication, neglect, overloading, or employment for other than normal and ordinary use and service.

This Warranty shall not apply to any articles or parts thereof furnished by Seller to Buyer's specifications and/or furnished by Buyer or acquired from others at Buyer's request.

**SELLER MAKES NO EXPRESS WARRANTIES AND NO IMPLIED WARRANTIES OF ANY KIND, OTHER THAN THE WARRANTY EXPRESSLY SET FORTH ABOVE. SUCH WARRANTY IS EXCLUSIVE AND IS MADE AND ACCEPTED IN LIEU OF ANY AND ALL OTHER WARRANTIES, EXPRESS OR IMPLIED, INCLUDING WITHOUT LIMITATION THE IMPLIED WARRANTIES OF MERCHANTABILITY AND FITNESS FOR A PARTICULAR PURPOSE.**

The remedies for this Warranty shall be only those expressly set forth above, to the exclusion of any and all other remedies of whatsoever kind. The limited remedies set forth above shall be deemed exclusive, even though they may fail their essential purpose. No agreement varying or extending the foregoing Warranty, remedies, exclusions, or limitations shall be effective unless in a writing signed by an executive officer of Seller and Buyer. This Warranty is non-transferable.

Under no circumstances shall Seller be liable (i) for any damage or loss to any property other than the warranted article or part thereof, or (ii) for any special, indirect, incidental, or consequential damage or loss, even though such expenses, damages, or losses may be foreseeable.

The foregoing limitations on Seller's liability in the event of breach of warranty shall also be the absolute limit of Seller's liability in the event of Seller's negligence in manufacture, installation, or otherwise, with regard to the articles covered by this Warranty, and at the expiration of the Warranty period as above stated, all such liabilities shall terminate.