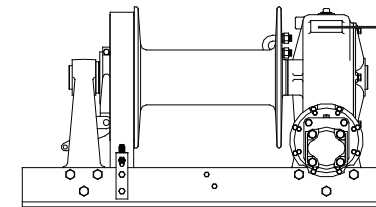
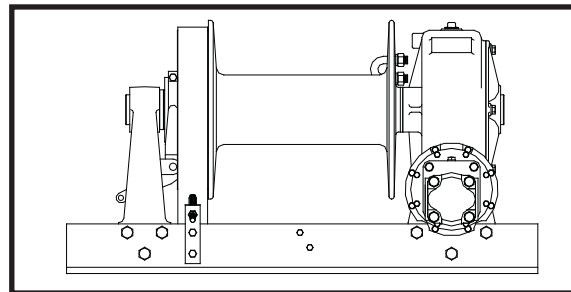


MATERIAL LIST

BRADEN

AMS20-18B
AHS20



Model Number

Serial Number

Most Braden winches have a raised pad on the housing which is embossed with the model and serial numbers of the winch. Since both of these numbers are extremely important in the shipment of the proper replacement parts, your order should always reference these numbers.

FOR BEST RESULTS, ALWAYS USE GENUINE BRADEN REPLACEMENT PARTS

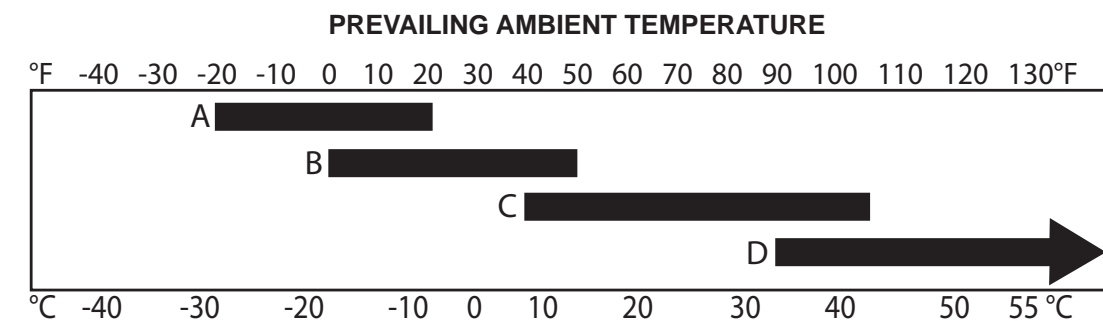
TO ORDER PARTS:

1. List model and serial numbers of the winch.
2. Refer to exploded view and select the component(s) needed and list the item number(s).
3. Find item number(s) on material list, show part number, description and quantity required on your order.

RECOMMENDED WORM GEAR OIL

We have published the following specifications to help you determine which lubricant is best suited for your application. For simplicity, Braden has listed one readily available product in each temperature range which has been tested and found to meet our specifications. This is not to say that other lubricant brands would not perform equally as well.

If the following lubricant brands are not available in your area, make certain your lubricant vendor supplies you with oil that is equivalent to those products listed below.



- A. AGMA Grade 3 EP; Mobilgear 600xp 100 or equivalent
- B. AGMA Grade 5 EP; Mobilgear 600xp 220 or equivalent
- C. AGMA Grade 7 EP; Mobilgear 600xp 460 or equivalent
- D. AGMA Grade 8 EP; Mobilgear 600xp 680 or equivalent

Brand recommendations in tier C climate range:

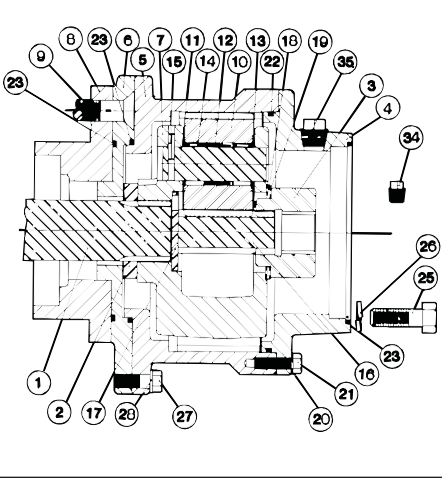
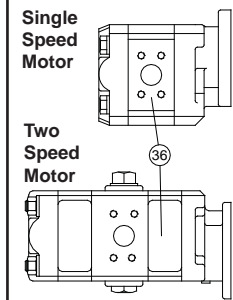
- MOBIL Mobilgear 600xp 460
- SHELL Omala 460
- CHEVRON Gear Compounds EP460
- TEXACO Meropa 460

⚠ WARNING ⚠

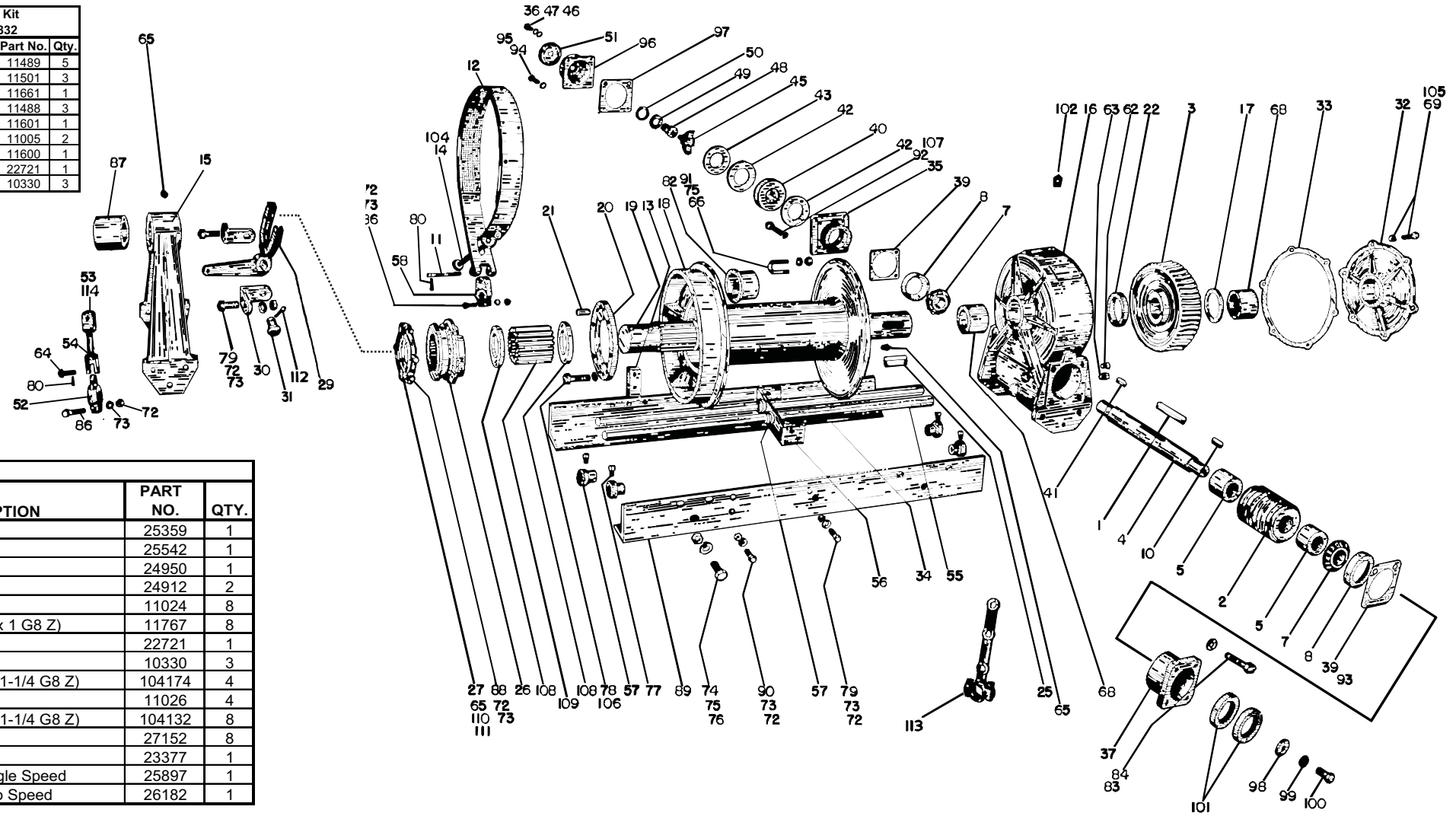
Do not use aftermarket additives in worm gear oil. Some additives may contain substances which could cause glazing of brake discs or impede the firm locking action in the brake rotor assembly. Both symptoms could reduce load control which may result in property damage, personal injury or death.

BRADEN AMS20-18B, AHS20P - COMPONENTS

AMS20 Hydraulically Driven with Planetary Adapter



Gasket and Seal Kit Part Number 62832		
Description	Part No.	Qty.
Bearing Container Gasket	11489	5
Cover Gasket	11501	3
Brake Housing Gasket	11661	1
Housing Gasket	11488	3
Adjusting Nut Gasket	11601	1
Grease Seal	11005	2
Adjusting Nut Washer	11600	1
O-Ring	22721	1
O-Ring	10330	3



AHS20P PLANETARY ADAPTER PARTS			
ITEM	DESCRIPTION	PART NO.	QTY.
1	Worm Shaft	25358	1
2	Spacer	25354	1
3	Motor Coupling	25355	1
4	Motor Adapter	25307	1
5	Housing	25305	1
6	Adapter Plate	25310	1
7	Planet Carrier	25309	1
8	Bearing Container	25374	1
9	Capscrew (5/8 - 11 x 2-1/2 FH G8)	25375	4
10	Planet Gear	26272	3
11	Planet Gear Shaft	24898	3
12	Bearing Spacer	24890	3
13	Thrust Washer	24167	6
14	Roller Bearing	24175	6
15	Rollpin	21049	3
16	Sun Gear	25359	1
17	Thrust Plate	25542	1
18	Needle Bearing	24950	1
19	Bearing Race	24912	2
20	Lockwasher (5/16)	11024	8
21	Capscrew (5/16 - 18 x 1 G8 Z)	11767	8
22	O'Ring	22721	1
23	O'Ring	10330	3
25	Capscrew (1/2 - 13 x 1-1/4 G8 Z)	104174	4
26	Lockwasher (1/2)	11026	4
27	Capscrew (3/8 - 16 x 1-1/4 G8 Z)	104132	8
28	Lockwasher (3/8)	27152	8
35	Plug	23377	1
36	Hydraulic Motor - Single Speed	25897	1
	Hydraulic Motor - Two Speed	26182	1

AMS20 BASIC MATERIAL LIST			
ITEM	DESCRIPTION	PART NO.	QTY.
1	Worm Key	22931	1
2	Worm, Right	11223	1
	Worm, Left	11222	1
3	Worm Gear, Right	11232	1
	Worm Gear, Left	11231	1
4	Worm Shaft*	23305	1
5	Worm Spacer**	40015	2
7	Bearing Cone**	18036	2
8	Bearing Cup**	18037	2
10	Key*	23928	1
11	Brake Band Pin	11569	1
12	Brake Band Assembly	81590	1
13	Brake Link Bracket	11499	1
14	Brake Link	11570	1
15	Bearing Leg Assembly	81032	1
16	Worm Housing	81563	1
17	Thrust Washer	13429	1
18	Cable Drum	81031	1
19	Cable Drum Shaft	23667	1
20	Clutch Plate	11216	1
21	Clutch Plate Dowel Pin	12769	2
22	Retaining Ring	11217	1
25	Worm Gear Key	23664	2
26	Clutch	13428	1
27	Clutch Rider Assembly ¹	61971	1
29	Clutch Shifter Fork	11673	1
30	Shifter Fork Bracket	11656	2
31	Pivot Pin	11657	1
32	Worm Housing Cover Assembly	81566	1
33	Cover Gasket	11501	3
34	Front Base Angle	23665	1
35	Bearing Container	23306	1
36	Capscrew (1/4 - 20 X 1/2 G8 Z)	22727	2
37	Bearing Container*	25374	1
39	Bearing Container Gasket (1/32)	11489	A.R.
40	Brake Rotor Assembly	81491	1
41	Key	10163	1
42	Friction Disc	29749	2
43	Pressure Plate	22778	1
45	Leaf Spring Assembly w/Adj. Nut	81044	1
46	Plain Washer (1/4)	11072	2
47	Lockwasher (1/4)	11015	2
48	Adjusting Nut	11263	1
49	Adjusting Nut Washer	11600	1
50	Adjusting Nut Gasket	11601	1

ITEM	DESCRIPTION	PART NO.	QTY.
51	Adjusting Plate	11602	1
52	Clutch Lever	11676	1
53	Clevis	11578	2
54	Clevis Link	11583	1
55	Control Shaft	11482	2
56	Control Shaft Support	11503	1
57	Collar Bearing	11669	6
58	Brake Lever	11678	1
62	Pipe Plug	18009	1
63	Pipe Plug	18010	1
64	Clevis Pin	12751	2
65	Grease Fitting	18047	6
66	Cable Clamp	29036	1
68	Housing Bushing	23693	2
69	Capscrew (1/2 - 13 x 1-1/4 G8 Z)	104174	6
72	Hex Nut (3/8 - 16)	11780	14
73	Lockwasher (3/8)	27152	14
74	Capscrew (3/4 - 16 x 2-1/2 G8 Z)	23929	12
75	Lockwasher (3/4)	13435	14
76	Hex Nut (3/4 - 16)	23930	12
77	Setscrew	13957	8
78	Capscrew (5/8 - 11 x 1-3/4 G8 Z)	103249	8
79	Capscrew (3/8 - 16 x 1-1/2 G8 Z)	104313	8
80	Cotterpin	18008	4
82	Cable Drum Bushing	12868	2
83	Capscrew (5/8 - 11 x 2 G8 Z)*	72563	4
84	Lockwasher (5/8)*	102423	4
86	Capscrew (3/8 - 16 x 2-1/4 G8 Z)	104134	2

ITEM	DESCRIPTION	PART NO.	QTY.
87	Bearing Leg Bushing	12867	1
88	Capscrew (3/8 - 16 x 4 G8 Z)	21477	2
89	Rear Base Angle	23666	1
90	Capscrew (3/8 - 16 x 1-3/4 G8 Z)	104311	2
91	Jam Nut	11791	2
92	Capscrew (5/8 - 11 x 2-1/2)	22924	4
93	Housing Gasket	11488	A.R.
94	Capscrew (7/8 - 14 x 1-3/4 NF G8 Z)	13446	4
95	Lockwasher (7/8)	13447	4
96	Wm Brake Housing	11274	1
97	Brake Housing Gasket	11661	1
98	Retainer Washer*	18045	1
99	Lockwasher (5/16)*	11024	1
100	Capscrew (5/16 - 24 x 3/4 NF G8 Z)*	32265	1
101	Grease Seal*	11005	2
102	Plug	22775	1
104	Hex Nut (1/2 - 20)	22701	4
105	Lockwasher (1/2)	11026	6
106	Lockwasher (5/8)	13449	8
107	Washer, Sealing	11235	4
108	Retaining Ring	13430	2
109	Shaft Sleeve	13427	1
110	Clutch Rider	11671	1
111	Clutch Rider ²	11672	1
112	Cotterpin	13959	1
113	Lever Assembly	81208	2
114	Nut (5/8 - 18)	22702	2

* These parts used on mechanical drive units only.

** Only 1 of these parts used on units with planetary adapter.

1. Includes items 65, 72, 73, 88, 110 & 111.

2. With tapped hole for grease fitting.